



Price Book

Residential Water Treatment & Water Filtration

10/19/2023 Version

WATER TREATMENT

Whole House Water Softening Systems

Twin-Tank Systems



Water Trust Pro Series

Pentair Part Number	Product Description	House Occupants	Capacity	Flow Rate	Drain Flow Rate	Case Quantity	List \$
35974	Water Softening System, 1.0 cubic foot	1 - 2	33,500 grains	10.0 gpm	2.7 gpm	1	\$ 1,422.00
35975	Water Softening System, 1.5 cubic feet	3 - 4	48,600 grains	11.8 gpm	2.7 gpm	1	\$ 1,674.00
35976	Water Softening System, 2.0 cubic feet	5 - 6	64,000 grains	14.5 gpm	3.9 gpm	1	\$ 1,935.00

Cabinet Softeners (NEW)



Water Trust Pro Series

Pentair Part Number	Product Description	House Occupants	Capacity	Flow Rate	Drain Flow Rate	Case Quantity	List \$
4006987	Cabinet Water Softener 32K	1 - 2	32,000 grains	10.0 gpm	2.7 gpm	1	\$ 1,449.00
4006988	Cabinet Water Softener 36K	3 - 4	36,000 grains	10.0 gpm	2.7 gpm	1	\$ 1,499.00
4006989	Cabinet Water Softener 40K	5 - 6	40,000 grains	10.0 gpm	2.7 gpm	1	\$ 1,549.00

Whole House Carbon Filtration Systems

Carbon Filtration



Water Trust Pro Series

Pentair Part Number	Product Description	House Occupants	Capacity	Flow Rate	Drain Flow Rate	Case Quantity	List \$
35977	Carbon Filtration System, 1.0 cubic foot	1 - 2	1.0 cu ft	11.6 gpm	5.0 gpm	1	\$ 1,341.00
35978	Carbon Filtration System, 1.5 cubic feet	3 - 4	1.5 cu ft	11.9 gpm	5.0 gpm	1	\$ 1,462.50
35979	Carbon Filtration System, 2.0 cubic feet	5 - 6	2.0 cu ft	13.2 gpm	7.0 gpm	1	\$ 1,584.00
35990	Whole House In/out Carbon Filtration System (Substitutes: PRO-CS-1044)	1 - 3	0.75 cu ft	7 gpm	N/A	1	\$ 2,234.43
35991	Whole House In/out Carbon Filtration System (Substitutes: PRO-CS-1344)	4 - 6	1.25 cu ft	10 gpm	N/A	1	\$ 2,828.75

Whole House Specialty Filtration Systems

Acid Neutralizing



Water Trust Pro Series

Pentair Part Number	Product Description	House Occupants	Capacity	Flow Rate	Drain Flow Rate	Case Quantity	List \$
35980	Acid Neutralizing System, 1.0 cubic foot	1 - 3	1.0 cu ft	6.0 gpm	6.0 gpm	1	\$ 1,219.50
35981	Acid Neutralizing System, 1.5 cubic feet	4 - 6	1.5 cu ft	7.0 gpm	6.0 gpm	1	\$ 1,341.00

Iron Reduction



Water Trust Pro Series

Pentair Part Number	Product Description	House Occupants	Capacity	Flow Rate	Drain Flow Rate	Case Quantity	List \$
35982	Iron Reduction System, 1.0 cubic foot	1 - 3	1.0 cu ft	5.0 gpm	5.0 gpm	1	\$ 1,486.80
35983	Iron Reduction System, 1.5 cubic feet	4 - 6	1.5 cu ft	5.0 gpm	5.0 gpm	1	\$ 1,790.10

Tannin Filtration



Water Trust Pro Series

Pentair Part Number	Product Description	House Occupants	Capacity	Flow Rate	Drain Flow Rate	Case Quantity	List \$
35984	Tannin Filtration System, 1.5 cubic feet	1 - 3	1.0 cu ft	11.8 gpm	2.5 gpm	1	\$ 2,313.90
35985	Tannin Filtration System, 2.0 cubic feet	4 - 6	1.5 cu ft	13.2 gpm	3.5 gpm	1	\$ 3,124.80

Whole House Combo Units



Water Trust Pro Series

Pentair Part Number	Product Description	House Occupants	Capacity	Flow Rate	Drain Flow Rate	Case Quantity	List \$
35986	Pentair Whole House Carbon Filtration and Salt-Based Water Softening System, 1.5 cubic feet	1 - 3	48,600 grains	10.0 gpm	2.7 gpm	1	\$ 3,024.90
35987	Pentair Whole House Carbon Filtration and Salt-Based Water Softening System, 2.0 cubic feet	4 - 6	64,000 grains	15.0 gpm	3.9 gpm	1	\$ 3,328.20

Whole House Parts, Accessories and Replacement Media.

Display Units



Water Trust Pro Series

Pentair Part Number	Product Description	Case Quantity	List \$
35972	Display Whole House Softening System	1	\$ 1,433.00
35973	Display Whole House Carbon System	1	\$ 1,294.00
4006629	Display Whole House Softening and Carbon System	1	\$ 2,588.00

Replacement Media



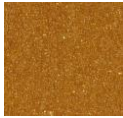
14829 - CALCIUM CARBONATE



39304 - COCONUT CARBON



39376 - IRON REDUCTION RESIN



39339 - CATION

Pentair Part Number	Product Description	Case Quantity	List \$
14829	Acid Neutralizer Replacement Media / Calcium Carbonate - 50lb Bag	1	\$ 42.50
38923	System Acid Neutralizer Rebed Kit 1.0	1	\$ 129.00
38925	System Acid Neutralizer Rebed Kit 1.5	1	\$ 175.00
39304	Carbon System Rebed Kit 1.0	1	\$ 369.00
39305	Carbon System Rebed Kit 1.5	1	\$ 551.00
14816	Iron Replacement Media (1 CuFt Bag)	1	\$ 251.00
39376	Iron System Rebed Kit 1.0	1	\$ 352.00
39377	Iron System Rebed Kit 1.5	1	\$ 477.00
39339	Salt Softener Rebed Kit 1.0	1	\$ 443.00
39340	Salt Softener Rebed Kit 1.5	1	\$ 630.00
PC600-R	PC 600 Replacement Media	1	\$ 290.00
PR0-CS-1044-R	Pentair Pro Enviro Replacement Media for Carbon Filter, PRO-CS-1044	1	\$ 558.67
PR0-CS-1344-R	Pentair Pro Enviro Replacement Media for Carbon Filter, PRO-CS-1344	1	\$ 859.79

Parts & Accessories



BLACK TANK W/BASE



GREY TANK W/BASE



DISTRIBUTOR ASSEMBLY



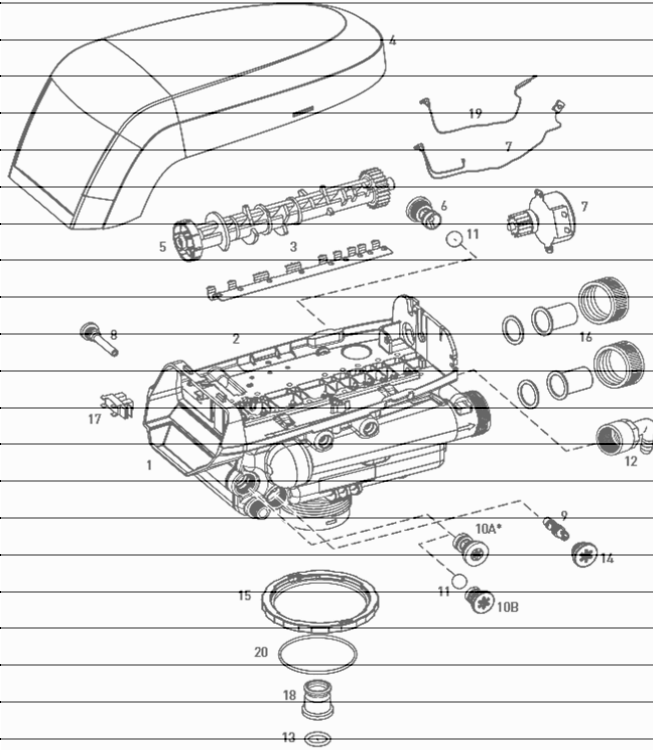
COMPLETE VALVE

Pentair Part Number	Product Description	Case Quantity	List \$
38256	10 X 44 TANK BLACK W/BASE, 1.0	1	\$ 221.38
38257	10 X 54 TANK BLACK W/BASE, 1.5	1	\$ 256.33
38258	12 X 48 TANK BLACK W/BASE, 2.0	1	\$ 346.03
17485	10x44 TANK GREY W/BASE, 1.0	1	\$ 392.29
14598	10x54TANK GREY W/BASE, 1.5	1	\$ 417.75
4000988	DISTRIBUTOR ASSEMBLY, 1.0	1	\$ 40.17
4001980	DISTRIBUTOR ASSEMBLY, 1.5	1	\$ 42.05
4000987	DISTRIBUTOR ASSEMBLY, 2.0	1	\$ 40.92
38571	BRINE TANK BLACK 18 X 33	1	\$ 285.18
39516	10 X 44 TANK SLEEVE, 1.0	1	\$ 96.74
39517	10 X 54 TANK SLEEVE, 1.5	1	\$ 96.74
39518	12 X 48 TANK SLEEVE, 2.0	1	\$ 103.09
4000620	Complete valve for 1.0 & 1.5 Cu softeners	1	\$ 642.86
4000621	Complete valve for 2 Cu softeners	1	\$ 642.86
4000625	Complete valve for carbon & acid filters (order flow control separately)	1	\$ 642.86

Valve parts & Service kits

Pentair Part Number	Product Description	Case Quantity	List \$
1041174	Flappers service kit	1	\$ 49.80
1244651	Valve Assembly w/o Flow Controls	1	\$ 238.00
1235338	Top Plate, 268/700 Series Valves	1	\$ 39.70
1235339	Valve Disc Spring, One Piece	1	\$ 10.20
1236246	Cover, Valve, 255/Performa 700/860 Series Controller	1	\$ 8.40
1235352	Camshaft standard	1	\$ 21.40
4000806	AIO camshaft	1	\$ 64.20
1000212	Flow control for 1.0 & 1.5 softeners & tannin	1	\$ 11.00
1000213	Flow control for 2.0 softeners & tannin	1	\$ 11.00
1030355	Flow Control, EXT, 5 GPM	1	\$ 16.50
1030356	Flow Control, EXT, 6 GPM	1	\$ 16.50
1030357	Flow Control, EXT, 7 GPM	1	\$ 16.50
3019221	Motor/Optical Cable Assembly	1	\$ 76.60
1000226	Screen cap assembly with oring	1	\$ 5.40
1035734	Injector for 1.0 & 1.5 cu softeners	1	\$ 7.60
1035735	Injector for 2.0 cu softeners	1	\$ 7.60
1000222	brine flow control for softeners & tannin filter	1	\$ 13.20
1030502	Ball, Refill Flow Control for softeners & tannin filters	1	\$ 1.10
1030334	refill plug for carbon & acid filters	1	\$ 12.60
1002449	Drain Fitting Elbow	1	\$ 7.10
1000269	Injector cap with oring	1	\$ 4.80
1035622	Tank Ring	1	\$ 7.40
1001769	Autotrol 3/4" connection Kit	1	\$ 24.60
1001603	Autotrol 1" connection Kit	1	\$ 29.50
1041174	Flappers kit	1	\$ 49.80
1040930	Valve bypass	1	\$ 60.70
1235446	Turbine cable	1	\$ 19.40
1010154	Tank oring	1	\$ 7.10
1033444	internal turbine meter	1	\$ 22.20
1233187	Motor lock pin	1	\$ 1.50
44149	Autotrol 268 Valve Transformer US	1	\$ 14.20
1242168	762 controller NA	1	\$ 336.00

EXPLODED VIEW AND PARTS LIST REFERENCE



Old Rotary systems parts

Pentair Part Number	Product Description	Case Quantity	List \$
72370	Rotary Systems Weather Cover	1	\$ 182.00
71084	Rotary Systems Replacement Rubber Disc	1	\$ 12.90
71087	Rotary Systems Replacement Cam Shaft	1	\$ 12.20
71132	Rotary Systems Replacement Rotor Plate	1	\$ 5.90
71182	Rotary Systems Replacement Insert Plate	1	\$ 7.50
70797	Rotary Systems Replacement Brine Nut	1	\$ 2.20
71110	Rotary Systems Replacement Bypass Gasket	1	\$ 1.10
71006	Rotary Systems Replacement Float Valve Spring	1	\$ 0.70
75170	Rotary Systems Replacement Fitting Kit 3/4" Male NPT Plastic	1	\$ 46.20
75064	Rotary Systems Replacement Fitting Kit 1" Sweat Straight	1	\$ 43.10
13142	Rotary Systems Air Gap Floor Drain	1	\$ 88.50
72668	Rotary Systems Bypass Valve Assembly	1	\$ 82.60
19736	Rotary Systems Replacement Check Valve 1"	1	\$ 191.00
Parts-WF48-P	Pentair Pro Parts Kit for 4006333 and 4006334	1	#####
Install Kit-Single-P	Pelican Whole House Installation Kit (Single Tank)	1	\$ 193.00
34854-1833	Replacement Black Brine - Injected Mold Cover w/Grid	1	\$ 187.00

WATER FILTRATION

Whole Home Solutions

FloPlus™ Whole Home Systems & Cartridges - For reduction of chlorine taste & odor, cysts



Pentair Part Number	Product Name	Description	Flow Rate	Capacity	Replacement Cartridge	Case Quantity	List \$
152094	FloPlus 10BB Whole Home System	1" #10 FPS-10BB FloPlus Heavy Duty Carbon System, CTO + Cyst + Sediment, Sys. Dimensions: 13.30" x 7.45", Cartridge Dimensions: 2.63" x 9.75", 5 microns	10 GPM	25,000 gal	455905-43	1	\$ 229.00
152095	FloPlus 20BB Whole Home System	1.5" #20 FPS-20BB FloPlus Heavy Duty Carbon System, CTO + Cyst + Sediment, Sys. Dimensions: 23.74" x 7.45", Cartridge Dimensions: 4.63" x 20", 5 microns	25 GPM	50,000 gal	455906-43	1	\$ 260.00
455905-43	FloPlus 10BB Whole Home Replacement Cartridge			25,000 gal	152094	12	\$ 91.70
455906-43	FloPlus 20BB Whole Home Replacement Cartridge			50,000 gal	152095	6	\$ 154.00



FloPlus Protect™ Whole Home Systems & Cartridges - For reduction of PFOA/PFOS, Chlorine taste & odor, cysts

Pentair Part Number	Product Name	Description	Flow Rate	Capacity	Replacement Cartridge	Case Quantity	List \$
150736	FloPlus Protect 20BB Whole Home System	1.5" #20 FPS-20BB FloPlus Heavy Duty Carbon System, PFOA/PFOS CTO + Cyst + Sediment, Sys. Dimensions: 23.74" x 7.45", Cartridge Dimensions: 4.63" x 20"	5 GPM	15,000 gal	655223-43	1	\$ 324.85
655223-43	FloPlus Protect 20BB Whole Home Replacement Cartridge			15,000 gal	150736	6	\$ 175.00



Heavy Duty Lead Filtration System & Cartridge - For reduction of lead, cysts

Pentair Part Number	Product Name	Description	Flow Rate	Capacity	Replacement Cartridge	Case Quantity	List \$
160410	LR-BB50-20" Whole Home Lead System	1" #20, Sys. Dimensions: 27.20" x 7", 0.5 microns, Filter Life: 4-5 months, Inc. cartridge, wrench, mounting bracket kit and manual	10 GPM	40,000 gal	655210-43	1	\$ 464.00
655210-43	LR-FB20BB Whole Home Lead Replacement Cartridge			40,000 gal	160410	6	\$ 278.00



Whole Home Multi Stage Systems (Without Cartridges)

Pentair Part Number	Product Name	Description	Inlet / Outlet	Cap / Sump	Special Features	Case Quantity	List \$
160166	BBFS-22 2-Stage 20" with Mounting Bracket	The BBFS systems consist of a series of large-capacity 1" NPT #20 Big Blue housings allowing for greater cartridge capacities and higher flow rates. All systems are equipped with a pressure relief button to relieve housing pressure during cartridge changes, and are shipped completely pre-assembled, saving valuable installation time.	1" NPT	Black / Blue	Pressure Relief in Cap	1	\$ 349.00
160168	BBFS-222 3-Stage 20" with Mounting Bracket		1" NPT	Black / Blue	Pressure Relief in Cap	1	\$ 501.00



Whole Home Sediment Filtration Systems & Cartridges

Pentair Part Number	Product Name	Description	Application	Filter Life	Inlet / Outlet	Case Quantity	List \$
BB10-P	10" 5 Micron Sediment Prefilter System	Heavy duty 10" housing, 5-micron cartridge, wrench, and mounting bracket kit	Sediment / Debris	6-12 months	1"	1	\$ 176.83
BB20-P	20" High Flow Prefilter Sediment Pre-Filter System	Heavy duty 20" housing, 5-micron cartridge, wrench, and mounting bracket kit	Sediment / Debris	12 months	1.5"	1	\$ 259.76
PC10-P	Replacement 10" Sediment Filters + O-Rings - 1-Pack	Fits BB10-P, 5 micron sediment and debris replacement filter, 10" Heavy Duty	Sediment / Debris	6-12 months	N/A	1	\$ 45.37
PC20-P	Replacement 10" Sediment Filters + O-Rings - 2-Pack	Fits BB10-P, 5 micron sediment and debris replacement filter, 10" Heavy Duty	Sediment / Debris	6-12 months	N/A	1	\$ 75.62
PC40-P	Replacement 10" Sediment Filters + O-Rings - 4-Pack	Fits BB10-P, 5 micron sediment and debris replacement filter, 10" Heavy Duty	Sediment / Debris	6-12 months	N/A	1	\$ 126.03
BBOR-Lube	Big Blue O-Ring Lube Pack					1	\$ 3.30
PBB-MB	Aluminum Mounting Bracket with Stainless Hardware					1	\$ 43.90



Whole Home Hot Water Sediment Filter Systems

Pentair Part Number	Product Name	Description	Micron Rating	Filter Life	Inlet / Outlet	Case Quantity	List \$
PHT10-P	10" Hot water System - 8 GPM	Hot Water Post-Filter Systems - Can withstand water temperatures of up to 160-degrees Fahrenheit. Housings constructed of glass-reinforced nylon. Filters sand, dirt, sediment and other debris.	5	6 - 12 months	3/4" NPT	1	\$ 323.41
PHT20-P	20" Hot Water System - 12 GPM		5	12 months	3/4" NPT	1	\$ 404.26
155014-52	2.5"x10" Hot Water Sediment Filter Cartridge, Spun Polypropylene Twin Pack (Replacement for system PHT10-P)		5	6 - 12 months	N/A	12	\$ 23.10
155016-43	2.5"x20" Hot Water Sediment Filter Cartridge, Spun Polypropylene (Replacement for system PHT20-P)		5	12 months	N/A	20	\$ 12.00

Whole Home Water Heater Shield



Pentair Part Number	Product Name	Description	Flow Rate	Filter Life	Replacement Cartridge	Case Quantity	List \$
EHS-5-P	Pentair Water Heater Shield - 5 GPM	3/4" #5 EHS Water Heater Shield, Dimensions: 5"x12", w/Pressure Gauge and Pressure Release, Scale and Sediment, 5 microns	5 GPM	6 months	WHS5-R-P & WHS5-R-4-P	1	\$ 248.78
EHS-10-P	Pentair Water Heater Shield - 10 GPM	1" #10 EHS Water Heater Shield, Dimensions: 7"x13", w/Pressure Gauge and Pressure Release, Scale and Sediment, 5 microns	10 GPM	6 months	WHS10-R-P & WHS10-R-4-P	1	\$ 415.85
EHS-20-P	Pentair Water Heater Shield - 20 GPM	1" #20 EHS Water Heater Shield, Dimensions: 7"x23", w/Pressure Gauge and Pressure Release, Scale and Sediment, 5 microns	20 GPM	6 months	EHS20R1-P	1	\$ 623.17
WHS5-R-P	Pentair Water Heater Shield - 5 GPM - Replacement Single			6 months	EHS-5	1	\$ 72.44
WHS5-R-4-P	Pentair Water Heater Shield - 5 GPM - Replacement 4 Pack			6 months	EHS-5	1	\$ 181.71
WHS10-R-P	Water Heater Shield EHS-10 - 10 GPM - Replacement 1 Pack			6 months	EHS-10	1	\$ 100.61
WHS10-R-4-P	Water Heater Shield EHS-10 - 10 GPM - Replacement 4 Pack			6 months	EHS-10	1	\$ 384.15
EHS20R1-P	Pentair Water Heater Shield - 20 GPM - Replacement Single			6 months	EHS-20	1	\$ 218.29

UltraViolet (UV) Systems & Parts



Pentair Part Number	Product Name	Description	Inlet / Outlet	Flow Rate	Life time (estimated)	Case Quantity	List \$
PUV-7-P	Pentair Basic UV 7	More effective against a broader range of organisms than chlorine. Does not negatively affect the taste or odor of your water.	3/4" FNPT	16 GPM	12 mo.	1	\$ 832.00
PUV-14-P	Pentair Basic UV 14		1" MNPT*	34 GPM		1	\$ 1,071.00
PUV-7-LampSleeve	Pentair Replacement Lamp/Sleeve Combo PUV-7	UV lamp inside the system has an effective life of approximately 9,000 hours. To ensure continuous protection, replace the UV lamp annually.		N/A		1	\$ 193.41
PUV-14-LampSleeve	Pentair Replacement Lamp/Sleeve Combo PUV-14			N/A		1	\$ 228.29

Undersink Solutions

ChlorPlus Protect™ Undersink Systems & Cartridges



Pentair Part Number	Product Name	Description	Side Faucet Req?	Capacity	Replacement / Fits	Case Quantity	List \$
150742	Chlorplus Protect 10 PFAS, CTO System	10" Standard system certified to reduce chlorine, chloramine and PFOA/PFOS	No	1,000 gal	655226-43	1	\$ 150.00
655226-43	Chlorplus Protect 10 Replacement Cartridge		N/A	1,000 gal	150742	6	\$ 75.00

Undersink Lead Filtration System & Cartridge



Pentair Part Number	Product Name	Description	Side Faucet Req?	Capacity	Replacement / Fits	Case Quantity	List \$
160406	LR-1500, High Flow Undersink Lead System	3/8" #10 Undersink Lead System, Incl. wrench, integrated mounting bracket, and manual	No	1,500 gal	655208-43	1	\$ 110.00
655208-43	LR-FB10, High Flow Lead Cartridge		N/A	1,500 gal	160406	12	\$ 36.20

Freshpoint® Undersink Quick Change Filtration Systems



Pentair Part Number	Product Name	Description	Side Faucet Req?	Capacity	Replacement / Fits	Case Quantity	List \$
158839	Freshpoint 2-Stage Under Counter Filtration System F2000-B2B Non-Monitored	Reduces: Chlorine Taste & Odor, Cysts, Lead, Sediment, VOCs	Yes (Included)	675 gal	655126-96 (Twin Pack)	1	\$ 215.00
258840	Freshpoint 3-Stage Under Counter Filtration System F3000-B2B Non-Monitored	Reduces: Chlorine Taste & Odor, Cysts, Lead, Sediment, VOCs	Yes (Included)	675 gal	655116-96 (Twin Pack)	1	\$ 251.00

Freshpoint® Undersink Quick Change Reverse Osmosis Systems



Pentair Part Number	Product Name	Description	Side Faucet Req?	Capacity	Replacement / Fits	Case Quantity	List \$
161110	GRO-350B - 3 Stage Reverse Osmosis System	Reduces Chlorine, Taste & Odor, Cysts, TDS	Yes (Included)	50 GPD	655117-96 655123-96 655121-96	1	\$ 423.00
161114	GRO-475BP - 4 Stage Reverse Osmosis System w/ Booster Pump	Reduces Chlorine, Taste & Odor, Cysts, TDS, Lead and 13 other contaminants	Yes (Included)	75 GPD	655117-96 655123-96 655120-96 655122-96	1	\$ 820.00
161111	GRO-475B - 4 Stage Reverse Osmosis System Non-Monitored	Reduces Chlorine, Taste & Odor, Cysts, TDS, Lead and 13 other contaminants	Yes (Included)	75 GPD	655117-96 655123-96 655120-96 655122-96	1	\$ 564.00
161112	GRO-575B - 5 Stage Reverse Osmosis System Non-Monitored	Reduces Chlorine, Taste & Odor, Cysts, TDS, Lead, VOCs, PFOA/PFOS and 14 other contaminants	Yes (Included)	75 GPD	655117-96 655123-96 655126-96 (Twin Pack) 655122-96	1	\$ 677.00

Freshpoint Undersink Replacement Cartridges

Pentair Part Number	Product Name	Description	Filter Life	Fits with System	Case Quantity	List \$
655116-96	Freshpoint F1S5-RC Replacement Cartridge	F3000-B2M system reduces: Chlorine Taste & Odor, Lead, Cysts.	1 Year	158854	12	\$ 26.30
655117-96	Freshpoint F1GC-RC Replacement Cartridge	Contaminant reduction: Chlorine Taste & Odor	1 Year	161110 161114 161151 161152	12	\$ 32.30
655120-96	Freshpoint F1B1-RC Replacement Cartridge	Contaminant reduction: Lead and Cyst	1 Year	161114 161151	12	\$ 46.00
655121-96	Freshpoint GRO50-RC Replacement Cartridge	GRO-350B system reduces: Chlorine Taste & Odor, Cysts, TDS	18 Months	161110	12	\$ 110.00
655122-96	Freshpoint GRO75-RC Replacement Cartridge	GRO-475&GRO-575 systems reduce: Chlorine Taste & Odor, Cysts, TDS, Lead, VOCs, and 14 other contaminants	18 Months	161114 161151	12	\$ 118.00
655123-96	Freshpoint FDF1-RC Replacement Cartridge	Contaminant reduction: Chlorine Taste & Odor	1 Year	161110 161114 161151 161152	12	\$ 39.40
655126-96	Freshpoint F2B2-RC2 (Twin Pack) Replacement Cartridge	Contaminant reduction: VOC's, Lead and Cysts	1 Year	158853 158854 161152	6	\$ 91.90



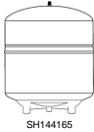
Undersink Reverse Osmosis Systems

Pentair Part Number	Product Name	Description	Capacity	Replacement / Fits	Case Quantity	List \$
161154	RO-2550, 4 STAGE RO System	4 stage Reverse Osmosis System, Reduces Lead, CTO, up to 96% TDS, Cyst	50 GDP	155014-43 (stage 1) 155634-43 (stage 2) 555583-43 (stage 3) 555574-43 (stage 4)	1	\$ 417.00



Undersink Reverse Osmosis Parts and Accessories

Pentair Part Number	Product Name	Description	Micron Rating	Filter Life	Fits with System	Case Quantity	List \$
155014-52	RO-2550 Stage 1 Sediment Pre-filter P5 Spun Polypropylene	RO-2550 system reduces: Lead, chlorine taste & odor, dissolved minerals & salts, copper, hexavalent & trivalent chromium, barium, radium 226/228, selenium, and cysts such as Cryptosporidium and Giardia by mechanical means.	5	12 months	161079	12	\$ 23.10
155634-43	RO-2550 Stage 2 Carbon Block Pre-filter (EPM-10)		10	12 months	161079	12	\$ 11.80
555583-43	RO-2550 Stage 3 RO Membrane TLC-50		NR	50 GPD	161079	1	\$ 63.90
555574-43	RO-2550 Stage 4 GAC Post Filter		NR	12 months	161079	12	\$ 41.00
SH144165	RO Storage Tank	Tank Dimensions: 11.3"X16.75", Tank Capacity: 1.9-3.2 gallons, Tank Weight (full): 40 lbs., Includes Stand	NR	N/A	RO-2550	1	\$ 133.00
SH244820	Air gap faucet	Lead free	NR	N/A	RO-2550	1	\$ 85.30



Undersink Parts & Accessories (NEW)

Pentair Part Number	Product Name	Description	Micron Rating	Filter Life	Fits with System	Case Quantity	List \$
PRO-PF-1	Pelican 1-Stage GAC Postfilter	Granulated Carbon Post Filter	NR	6 months	PRO-RO	1	\$ 70.00
EWP-104851	Replacement Post-Filter	Chlorine Taste and Odor, compatible with PRO-RO Systems (EWP-PRO-RO-PC, EWP-PRO-RO-BN, EWP-PRO-RO-ORB)	5	2,000 gal or 6 months	PRO-RO	1	\$ 71.95
EWP-104863	Replacement Membrane	RO Membrane, compatible with PRO-RO Systems (EWP-PRO-RO-PC, EWP-PRO-RO-BN, EWP-PRO-RO-ORB) - 15GPD	NR	18 months	PRO-RO	1	\$ 216.00
PDF-1500-RCF	Dual Replacement Carbon Filters For PDF-1500	Granular Activated Carbon GAC Filters (2) to reduce: chlorine, chloramines taste and odor - Blue Cap	20	1,500 gal or 6 - 12 months	PDF-1500	1	\$ 189.00
PDF-1500-RPF	Replacement Sediment Filter For PDF-1500	Sediment Filter to reduce sediment and debris - Green Cap	25	1,500 gal or 6 - 12 months	PDF-1500	1	\$ 42.00
PDF-VF-R01	PDF-1000VF REPL FLT - NC	Stage 3: Nanoceram® Filter	NR	1,000 gal or 6 months	PDF-1000VF	1	\$ 135.00
PDF-VF-R02	PDF-1000VF REPL FLT - FD	Stage 2: Fibredyne® Filter	NR	1,000 gal or 6 months	PDF-1000VF	1	\$ 125.00
PDF-VF-R03	PDF-1000VF REPL FLT - D	Stage 1: Deal® Filter	NR	1,000 gal or 6 months	PDF-1000VF	1	\$ 155.00
PDF-VF-RP	Pelican Drinking Water Purification Replacement Filter Set	Set Includes Stages 1,2 and 3 for PDF-1000VF.	NR	1,000 gal or 6 months	PDF-1000VF	1	\$ 251.00



InLine Filter Cartridges



Pentair Part Number	Product Name	Application / Media	Inlet/Outlet	Micron Rating	Capacity	Case Quantity	List \$
255503-43	GS-10-B - 2" x 10"	Bituminous GAC	1/4" FTP	20	750 gal	12	\$ 14.90
255505-43	GS-10-G - 2" x 10"	Bituminous GAC	1/4" John Guest	20	750 gal	12	\$ 20.10
255521-43	GS-10RO-B - 2" x 10"	Coconut GAC	1/4" FTP	5	3,300 gal	12	\$ 15.30
255522-43	GS-10RO-C - 2" x 10"	Coconut GAC	3/8" FPT	5	3,300 gal	12	\$ 15.90
255525-43	GS-10RO-G - 2" x 10"	Coconut GAC	1/4" John Guest	5	3,300 gal	12	\$ 19.70
255526-43	GS-10RO-H - 2" x 10"	Coconut GAC	3/8" John Guest	5	3,300 gal	12	\$ 20.50
255541-43	GS-10CAL/RO-B - 2" x 10"	Calcite and coconut GAC	1/4" FPT	20	2,000 gal	12	\$ 17.60
255546-43	GS-10CAL/RO-H - 2" x 10"	Calcite and coconut GAC	3/8" John Guest	20	2,000 gal	12	\$ 22.90
255553-43	GS-10EXTRA.5-B - 2" x 6"	KDF 55D AND COCONUT CARBON	1/4" FPT	5	5,000 gal	12	\$ 26.40
255559-43	GS-210EXTRA1-B - 2.5" x 11"	KDF 55D AND COCONUT CARBON	1/4" FPT	5	12,500 gal	12	\$ 44.70
255561-43	GS-210EXTRA1-G - 2.5" x 11"	KDF 55D AND COCONUT CARBON	1/4" John Guest	5	12,500 gal	12	\$ 50.10
255576-43	GS-10SED/5-C - 2" x 10"	High Efficiency Pleated media -SMS-	3/8" FPT	5	6-12 months	12	\$ 16.60
255579-43	GS-10SED/5-G - 2" x 10"	High Efficiency Pleated media -SMS-	1/4" John Guest	5	6-12 months	12	\$ 21.00
255582-43	GS-210SED/5-C - 2.5" x 11"	High Efficiency Pleated media -SMS-	3/8" FPT	5	6-12 months	12	\$ 26.60
255595-43	GS-10ALS-B - 2" x 10"	Hexametaphosphate and Coconut GAC	1/4" FPT	20	1,350 gal	12	\$ 22.90
255596-43	GS-10ALS-C - 2" x 10"	Hexametaphosphate and Coconut GAC	3/8" FPT	20	1,350 gal	12	\$ 22.80
255599-43	GS-10ALS-G - 2" x 10"	Hexametaphosphate and Coconut GAC	1/4" John Guest	20	1,350 gal	12	\$ 27.10
255604-43	GS-10PH-G - 2" x 10"	Hexametaphosphate crystals	1/4" John Guest	N/A	6 months	12	\$ 43.40
255631-43	GS-10CB-5-B - 2" x 10"	5 micron carbon block	1/4" FPT	5	2,000 gal	12	\$ 29.80
255632-43	GS-10CB-5-C - 2" x 10"	5 micron carbon block	3/8" FPT	5	2,000 gal	12	\$ 30.50
255635-43	GS-10CB-5-G - 2" x 10"	5 micron carbon block	1/4" John Guest	5	2,000 gal	12	\$ 34.60
255636-43	GS-10CB-5-H - 2" x 10"	5 micron carbon block	3/8" John Guest	5	2,000 gal	12	\$ 35.30
255655-43	GS-210DI-B - 2.5" x 11"	High capacity DI resin media	1/4" FPT	5	6-12 months	12	\$ 34.80

Filtration Component Solutions

Filtration Cartridges

Undersink Cartridges - Sediment

	Pentair Part Number	Product Name	Cartridge Size	Micron Rating	Contaminant Reduction	Case Quantity	List \$
	155014-52	W5P Spun Polypropylene - Twin Pack	2.5" x 10" Standard	5	Sediment	12	\$ 23.10
	155015-52	W25P Spun Polypropylene Fibers - Twin Pack	2.5" x 10" Standard	25	Sediment	12	\$ 23.10
	155017-52	W30PE Pleated Polyester - Reusable - Twin Pack	2.5" x 10" Standard	30	Sediment	12	\$ 32.70
	155002-52	W5CIP Activated Carbon-Impregnated Cellulose - Twin Pack	2.5" x 10" Standard	5	CTO & Sediment	12	\$ 35.00
	155001-52	W20CLA Pleated Cellulose - Twin Pack	2.5" x 10" Standard	20	Sediment	12	\$ 17.80
	155038-52	W50PE Pleated Polyester - Reusable - Twin Pack	2.5" x 10" Standard	50	Sediment	12	\$ 32.70
	155053-51	W50PEHD Pleated Polyester - Reusable	4.5" x 10" Heavy Duty	50	Sediment	8	\$ 33.20
	155182-52	WCP5 Pleated Cellulose-Polyester - Twin Pack	2.5" x 10" Standard	5	Sediment	12	\$ 27.50
	155750-52	WPD-110 PolyDepth - Twin Pack	2.5" x 10" Standard	10	Sediment	12	\$ 21.50
	155751-52	WPD-25 PolyDepth - Twin Pack	2.5" x 10" Standard	25	Sediment	12	\$ 21.50
	155186-52	W5W Polypropylene String-Wound - Twin Pack	2.5" x 10" Standard	5	Sediment	12	\$ 16.00
	155187-52	W30W Polypropylene String-Wound - Twin Pack	2.5" x 10" Standard	30	Sediment	12	\$ 16.00
	155214-52	W50W Polypropylene String-Wound - Twin Pack	2.5" x 10" Standard	50	Sediment	12	\$ 16.00
	155030-43	P5-478 Spun Polypropylene	2.5" x 5" Standard	5	Sediment	24	\$ 5.60
	155031-43	R30-478 Pleated Polyester - Reusable	2.5" x 5" Standard	30	Sediment	24	\$ 13.60
	155225-43	P1-978 Spun Polypropylene	2.5" x 10" Standard	1	Sediment	24	\$ 6.50
	155749-43	PD-5-934 PolyDepth	2.5" x 10" Standard	5	Sediment	24	\$ 9.30
	255481-43	ECP1-10 Pleated Cellulose-Polyester	2.5" x 10" Standard	1	Sediment	24	\$ 11.10
	255482-43	ECP5-10 Pleated Cellulose-Polyester	2.5" x 10" Standard	5	Sediment	24	\$ 10.20
	255483-43	ECP20-10 Pleated Cellulose-Polyester	2.5" x 10" Standard	20	Sediment	24	\$ 9.80
	255484-43	ECP50-10 Pleated Cellulose-Polyester	2.5" x 10" Standard	50	Sediment	24	\$ 10.20

Whole Home Cartridges - Sediment

Pentair Part Number	Product Name	Cartridge Size	Micron Rating	Contaminant Reduction	Case Quantity	List \$
155184-51	W5CPHD Pleated Cellulose-Polyester	4.5" x 10" Heavy Duty	5	Sediment	8	\$ 37.30
155101-51	W30PEHD Pleated Polyester - Reusable	4.5" x 10" Heavy Duty	30	Sediment	8	\$ 44.00
155357-51	WDGD-5005 Dual-Gradient Polypropylene	4.5" x 10" Heavy Duty	5	Sediment	4	\$ 32.30
155305-51	W20CLHD20 Pleated Cellulose	4.5" x 20" Heavy Duty	20	Sediment	6	\$ 50.60
155405-51	W20 Pleated Cellulose	4.5" x 10" Heavy Duty	20	Sediment	8	\$ 30.10
155016-43	P5-20 Spun Polypropylene	2.5" x 20" Standard	5	Sediment	20	\$ 12.00
155303-43	S1-20 Pleated Cellulose	2.5" x 20" Standard	20	Sediment	14	\$ 16.30
155304-43	P1-20 Spun Polypropylene	2.5" x 20" Standard	1	Sediment	20	\$ 13.20
155355-43	DGD-7525-10 Dual-Gradient Polypropylene	4.5" x 10" Heavy Duty	25	Sediment	8	\$ 20.70
155356-43	DGD-7525-20 Dual-Gradient Polypropylene	4.5" x 20" Heavy Duty	25	Sediment	6	\$ 38.20
155358-43	DGD-5005-20 Dual-Gradient Polypropylene	4.5" x 20" Heavy Duty	5	Sediment	6	\$ 38.40
155359-43	DGD-2501-10 Dual-Gradient Polypropylene	4.5" x 10" Heavy Duty	1	Sediment	8	\$ 21.70
155360-43	DGD-2501-20 Dual-Gradient Polypropylene	4.5" x 20" Heavy Duty	1	Sediment	6	\$ 40.00
155416-43	R30-20 Pleated Polyester - Reusable	2.5" x 20" Standard	30	Sediment	14	\$ 27.60
155430-43	R30-20BB Pleated Polyester - Reusable	4.5" x 20" Heavy Duty	30	Sediment	6	\$ 58.30
255485-43	ECP1-20 Pleated Cellulose-Polyester	2.5" x 20" Standard	1	Sediment	14	\$ 25.70
255486-43	ECP5-20 Pleated Cellulose-Polyester	2.5" x 20" Standard	5	Sediment	14	\$ 20.10
255487-43	ECP20-20 Pleated Cellulose-Polyester	2.5" x 20" Standard	20	Sediment	14	\$ 20.10
255489-43	ECP1-BB Pleated Cellulose-Polyester	4.5" x 10" Heavy Duty	1	Sediment	8	\$ 26.00
255490-43	ECP5-BB Pleated Cellulose-Polyester	4.5" x 10" Heavy Duty	5	Sediment	8	\$ 25.00
255491-43	ECP20-BB Pleated Cellulose-Polyester	4.5" x 10" Heavy Duty	20	Sediment	8	\$ 25.00
255493-43	ECP1-20BB Pleated Cellulose-Polyester	4.5" x 20" Heavy Duty	1	Sediment	6	\$ 51.40
255494-43	ECP5-20BB Pleated Cellulose-Polyester	4.5" x 20" Heavy Duty	5	Sediment	6	\$ 46.70
255495-43	ECP20-20BB Pleated Cellulose-Polyester	4.5" x 20" Heavy Duty	20	Sediment	6	\$ 44.90
355214-43	WP-5-BB-97P Polypropylene String-Wound	4.5" x 10" Heavy Duty	5	Sediment	8	\$ 33.70
355216-43	WP-25-BB-97P Polypropylene String-Wound	4.5" x 10" Heavy Duty	25	Sediment	8	\$ 32.30
355217-43	WPX-5-BB-97P Fibrillated Polypropylene String-Wound	4.5" x 10" Heavy Duty	5	Sediment	8	\$ 38.80
355219-43	WPX-25-BB-97P Fibrillated Polypropylene String-Wound	4.5" x 10" Heavy Duty	25	Sediment	8	\$ 37.40
355220-43	WPX-50-BB-97P Fibrillated Polypropylene String-Wound	4.5" x 10" Heavy Duty	50	Sediment	8	\$ 36.70
355221-43	WPX-100-BB-97P Fibrillated Polypropylene String-Wound	4.5" x 10" Heavy Duty	100	Sediment	8	\$ 35.90
355222-43	WP-1-BB-20P Polypropylene String-Wound	4.5" x 20" Heavy Duty	1	Sediment	6	\$ 83.20
355226-43	WPX-100-BB-20P Fibrillated Polypropylene String-Wound	4.5" x 20" Heavy Duty	100	Sediment	6	\$ 71.60



Undersink Cartridges - Taste and Odor



Pentair Part Number	Product Name	Cartridge Size	Micron Rating	Contaminant Reduction	Case Quantity	List \$
155022-52	W5CIP478 Activated Carbon-Impregnated Cellulose C2	2.5" x 5" Standard - Twin Pack	5	CTO & Sediment	12	\$ 31.20
255438-51	DW-200-R - Replacement Cartridge for Cuno AP-200	6" w/ 1/4" Thread - Replacement for Cuno AP-217 Cartridge.	NR	CTO	6	\$ 37.60
155268-51	WLC-R Carbon Block	2.5" x 10" Standard	0.5	CTO	4	\$ 55.00
155584-51	W-250 Replacement Cartridge Set for WLCS-1000	Dual Cartridge set - 1,000 gal	0.5	CTO & Sediment	1	\$ 67.20
655156-51	WDC-10 Dual Purpose Dimond Flow Cartridge	10" Cartridge - 2500 gal	10	CTO & Sediment	12	\$ 14.50
155155-51	WCC Granular Activated Carbon	2.5" x 10" Standard	NR	CTO & Sediment	4	\$ 29.90
155110-51	WGC478 Granular Carbon	2.5" x 5" Standard	NR	CTO	8	\$ 23.40
155162-51	W.5CB Carbon Block	2.5" x 10" Standard	0.5	CTO	4	\$ 42.40
155169-51	W.5CB478 Carbon Block	2.5" x 5" Standard	0.5	CTO	8	\$ 36.00
555351-51	W100-RC Replacement Cartridge Set for WTOS-100	10" dual cartridges - 1,000 gal or 12 months	NR	CTO & Sediment	1	\$ 69.90
155403-43	CBR2-10R Carbon Block with Flow Control	2.5" x 10" Standard	0.5	CTO	12	\$ 34.80
155531-43	EP-10 Carbon Block	2.5" x 10" Standard	5	CTO & Sediment	12	\$ 14.80
155634-43	EPM-10 Carbon Block	2.5" x 10" Standard	10	CTO & Sediment	12	\$ 11.80
255416-43	ChlorPlus-10 Carbon Block	2.5" x 10" Standard	1	CTO	12	\$ 38.30
255679-43	CFBC-10 F Fibredyne Carbon Block	2.5" x 10" Standard	0.5	CTO	12	\$ 27.60
255681-43	CFB-PB-10 Fibredyne Carbon Block	2.5" x 10" Standard	0.5	CTO	12	\$ 33.20
155109-43	GAC-10 Granular Carbon	2.5" x 10" Standard	NR	CTO	12	\$ 18.00

Whole Home Cartridges - Taste and Odor



Pentair Part Number	Product Name	Cartridge Size	Micron Rating	Contaminant Reduction	Case Quantity	List \$
155141-51	WRC25HD Radial Flow Granular-Activated Carbon	4.5" x 10" Heavy Duty	25	CTO & Sediment	4	\$ 77.10
155153-51	WGCHD Granular Carbon	4.5" x 10" Heavy Duty	NR	CTO	4	\$ 66.60
155170-51	W.5CBHD Carbon Block	4.5" x 10" Heavy Duty	0.5	CTO	4	\$ 120.00
155247-51	WRC25HD20 Granular Carbon	4.5" x 20" Heavy Duty	25	CTO & Sediment	6	\$ 150.00
455908-51	WMBC-10HB Carbon Block	4.5" x 10" Heavy Duty	0.5	CTO & Sediment	6	\$ 69.30
455909-51	WMBC-20HB Carbon Block	4.5" x 20" Heavy Duty	0.5	CTO & Sediment	6	\$ 116.00
155065-43	RFC-20 Radial-Flow Granular-Activated Carbon	2.5" x 20" Standard	25	CTO & Sediment	6	\$ 62.60
155111-43	GAC-20 Granular-Activated Carbon	2.5" x 20" Standard	NR	CTO	6	\$ 36.40
155249-43	GAC-20BB Granular Carbon	4.5" x 20" Heavy Duty	NR	CTO	4	\$ 101.00
155309-43	CBC-20 Carbon Block	2.5" x 20" Standard	0.5	CTO	12	\$ 50.00
155312-43	CBC20-BB Carbon Block	4.5" x 20" Heavy Duty	0.5	CTO	4	\$ 164.00
155382-43	NCP-20BB Pleated Carbon-Impregnated Polyester	4.5" x 20" Heavy Duty	10	CTO & Sediment	6	\$ 75.90
155398-43	NCP-BB Pleated Carbon-Impregnated Polyester	4.5" x 10" Heavy Duty	10	CTO & Sediment	8	\$ 38.90
155529-43	EP-20 Carbon Block	2.5" x 20" Standard	5	CTO & Sediment	6	\$ 29.50
155548-43	EP-BB Carbon Block	4.5" x 10" Heavy Duty	5	CTO & Sediment	4	\$ 57.50
155597-43	Activated Carbon-Impregnated Cellulose C1-20	2.5" x 20" Standard	5	CTO & Sediment	14	\$ 25.70
155635-43	EPM-20 Carbon Block	2.5" x 20" Standard	10	CTO & Sediment	6	\$ 25.30
155782-43	EPM-BB Carbon Block	4.5" x 10" Heavy Duty	10	CTO & Sediment	4	\$ 53.90
155967-43	CRFC-20-BB Radial-Flow Granular-Activated Carbon	4.5" x 20" Heavy Duty	25	CTO & Sediment	6	\$ 298.00
255417-43	ChlorPlus-20 Carbon Block	2.5" x 20" Standard	1	CTO & Sediment	6	\$ 76.20
355056-43	CRFC-BB Radial Flow Carbon (10" BB)	4.5" x 10" Heavy Duty	25	CTO & Sediment	8	\$ 149.00

Undersink Cartridges - Specialty



PCC-212
WPCC/PCC-1



PCF1-10MB



RFFE20-BB



WS-20BB

Pentair Part Number	Product Name	Cartridge Size	Capacity	Contaminant Reduction	Case Quantity	List \$
155100-51	WPCC / PCC-1 Phosphate crystal - #10 Standard Filter Housings only	2.88" x 9.63"	Up to 5 gpm	Water Hardness, Scale, corrosion and iron	6	\$ 118.00
155248-43	PCC212 Phosphate Crystal (12 oz.) - #10 Standard or Slim Line Filter Housings	2.63" x 9.75"	1 to 1.5 gpm	Water Hardness, Scale, corrosion and iron	6	\$ 43.20
155251-43	PCC218 Phosphate Crystal (18 oz.) fit #10 Standard or Slim Line Filter Housings	2.63" x 9.75"	1.5 to 2.5 gpm	Water Hardness, Scale, corrosion and iron	6	\$ 51.50
155319-43	WS-10 Softening Resin Cartridge	2.5" x 10" Standard	750 grains	Water Hardness, Scale	6	\$ 38.50
155273-43	PCF1-10MB D.I. Resin Cartridge	2.5" x 10" Standard	Up to 16 MΩ	Water Deionization, TDS & TOC	6	\$ 57.40

Whole Home Cartridges - Specialty

Pentair Part Number	Product Name	Cartridge Size	Capacity	Contaminant Reduction	Case Quantity	List \$
155263-43	RFFE20-BB Radial-Flow Iron Reduction Cartridge	4.5" x 20" Heavy Duty	Up to 3 ppm	Iron	4	\$ 179.00
155274-43	PCF1-20MB D.I. Resin Cartridge	2.5" x 20" Standard	Up to 16 MΩ	Water Deionization, TDS & TOC	6	\$ 101.00
155281-43	BSF1-20MB D.I. Resin Cartridge	4.5" x 20" Heavy Duty	Up to 16 MΩ	Water Deionization, TDS & TOC	4	\$ 244.00
155320-43	WS-20 Softening Resin Cartridge	2.5" x 20" Standard	1,500 grains	Water Hardness, Scale	6	\$ 53.70
155321-43	WS-20BB Softening Resin Cartridge	4.5" x 20" Heavy Duty	4,500 grains	Water Hardness, Scale	4	\$ 96.60

Filtration Housings

Housings - 5" and 10"



152007



152005



WH34



10" WC34-PR

Pentair Part Number	Product Name	Inlet/Outlet	Housing Size	Cap / Sump	Special Features	Case Quantity	List \$
152007	5" W385-PRA / Slim Line Opaque Housing w/Pressure Relief Button & Mounting Bracket w/Install Kit	3/8" NPT	5" Slim Line	Black / Blue	Pressure Relief in Cap	6	\$ 52.79
152005	10" W38-PRA / Slim Line Opaque Housing w/Pressure Relief Button & Mounting Bracket w/Install Kit	3/8" NPT	10" Slim Line	Black / Blue	Pressure Relief in Cap	6	\$ 66.27
152018	10" WC34-PR Standard Housing - Clear + Bracket w/Install Kit	3/4" NPT	10" Standard	Black / Clear	PR & Mounting Bracket Cap	6	\$ 82.46
152083	10" WC34-PRB Standard Housing - Black w/Install Kit	3/4" NPT	10" Standard	Black / Clear	PR & Integral Bracket in Cap	6	\$ 88.21
152086	10" W38-PRB / Slim Line Opaque Housing w/Pressure Relief & Integral Bracket w/Install Kit	3/8" NPT	10" Slim Line	Black / Blue	PR & Integral Bracket in Cap	6	\$ 58.87
152003	10" WVC34 Valve-In-Head Standard - Clear + Bracket w/Install Kit	3/4" NPT	10" Standard	Black / Clear	PR & Valve in Head	6	\$ 110.28
152009	WH34 Standard High Temperature Housing - Red w/Install Kit	3/4" NPT	10" Standard	Red / Red	High Temp. Nylon	1	\$ 280.80
152047	10" W34-PR Standard Housing - Blue + Bracket w/Install Kit	3/4" NPT	10" Standard	Black / Blue	PR & Mounting Bracket Cap	6	\$ 65.74
150435	10" Standard Housing - Clear	3/4" NPT	10" Standard	Black / Clear	PR & Mounting Bracket Cap	12	\$ 55.00

Replacement Parts for 5" and 10" Housings



Pentair Part Number	Product Name	Case Quantity	List \$
152030	W34-OR, BUNA-N O-ring for 3/4" Standard Housings	1	\$ 6.30
152031	W38-OR, BUNA-N O-ring for 3/8" Slim Line, Compact Housings	1	\$ 6.30
152036	WW38 Wrench fits Slim Line / Compact Housings	1	\$ 11.60
152037	WW34 Wrench fits Standard Housings	1	\$ 11.60
152040	WMB34 Mounting Bracket Kit - U Shape for Standard and Valve in Head Housings	1	\$ 14.40
152041	WMB38 Mounting Bracket Kit - L Shape for 3/8" Inlet/Outlet Housings	1	\$ 12.40
153126	Filter Sump for WLCS-1000, WRO-3000 & WRO-3500 systems	1	\$ 14.10
153128	Standard Clear Sump (Fits WVC34 & WC34-PR)	1	\$ 47.80
153194	Standard Clear Sump (Fits WC34-PRB)	1	\$ 46.40
154101	3/4" Black Cap w/Pressure Relief Button (Fits W34-PR, WC34-PR)	1	\$ 21.50
154108	3/8" Black Cap w/Pressure Relief Button (Fits W38, W385 & WLCS-1000)	1	\$ 14.80
154134	3/4" Valve-in-Head Black Cap (Fits WVC34 & WV34)	1	\$ 57.20
151118	Silicone O-ring for Hot-High Pressure Housing (WH-34)	1	\$ 16.60
151039	Pressure Relief Button Assembly (Does not fit Valve-in-Head Caps)	1	\$ 5.10

Housings - 20", 10BB, 20BB



Pentair Part Number	Product Name	Inlet/Outlet	Housing Size	Cap / Sump	Special Features	Case Quantity	List \$
158205	20" Slim Line Opaque w/o PR	1/2" NPT	20" Slim Line	Black / Blue	w/o PR	8	\$ 57.90
150069	20" Standard Housing - Blue	3/4" NPT	20" Standard	Black / Blue	PR & Mounting Bracket Cap	8	\$ 73.60
152014	W10-PR #10 Big Blue Housing w/Install Kit	1" NPT	10" Heavy Duty	Black / Blue	Pressure Relief in Cap	2	\$ 161.00
152015	W2010-PR 20" Big Blue Housing w/Install Kit	1" NPT	20" Heavy Duty	Black / Blue	Pressure Relief in Cap	1	\$ 241.25
152016	W15-PR 10" Big Blue Housing w/Install Kit	1.5" NPT	10" Heavy Duty	Black / Blue	Pressure Relief in Cap	2	\$ 181.25
152017	W2015-PR 20" Big Blue Housing w/Install Kit	1.5" NPT	20" Heavy Duty	Black / Blue	Pressure Relief in Cap	2	\$ 260.00
152080	W10-BC 10" Big Blue Housing w/Install Kit	1" NPT	10" Heavy Duty	Black / Clear	Pressure Relief in Cap	2	\$ 253.75

Replacement Parts for 20", 10BB, 20BB Housings



Pentair Part Number	Product Name	Case Quantity	List \$
152032	W10-OR, BUNA-N O-ring for Heavy Duty Opaque Housings	1	\$ 11.50
152039	WWHD Wrench fits Heavy Duty 10" Opaque Housings	1	\$ 17.00
244994	WB-UB-KIT / BWB-UB-KIT Mounting Bracket Kit for Big Blue Housings	1	\$ 57.40
153097	#20 Big Blue Sump with 3/8" NPT Drain	1	\$ 243.00
153098	#10 Big Blue Sump with 3/8" NPT Drain	1	\$ 195.00
153208	10" Heavy Duty Clear Sump (Fits W10-BC & W15-BC)	1	\$ 188.00
154166	1" Black Cap w/Pressure Relief Button - Heavy Duty Housings (W10-PR, W2010-PR, WWHC, WWHI)	1	\$ 81.90
154167	1-1/2" Black Cap w/Pressure Relief Button - Heavy Duty Housings (W15-PR & W2015-PR)	1	\$ 84.00
154291	1" Blue Cap w/Pressure Relief Button (fits W10-BC)	1	\$ 65.50
151254	Square Cut O-ring for Heavy Duty Clear Housings (W10-BC & W15-BC)	1	\$ 10.70
SH144368	SW4 Wrench Fits 20" Heavy Duty Housings	1	\$ 6.70
SH144880	WWBC Wrench Fits 10" / BC / BW Heavy Duty Housings	1	\$ 10.10
150061	Mounting Bracket Kit WB-ZP Zinc Plated for 1" & 1.5" Inlet/Outlet Heavy Duty Housings	1	\$ 61.50

Industrial Housings - PBH



Pentair Part Number	Product Name	Inlet/Outlet	Connection Type	Accepts Bag Trade Size	Case Quantity	List \$
150337	PBH Housing PBH-420-1.5	1.25"	FNPT	4" x 18.25" bag	1	\$ 314.00
150338	PBH Housing PBH-410-1.5	1.25"	FNPT	4" X 8.25" bag	1	\$ 278.00
150360	PBH Housing PBH-410-1	1.00"	FNPT	4" X 8.25" bag	1	\$ 259.00
150367	PBH Housing PBH-420-1	1.00"	FNPT	4" x 18.25" bag	1	\$ 298.00

Industrial Housings - Stainless Steel



Pentair Part Number	Product Name	Inlet/Outlet	Fits Cartridge	Material	Special Features	Case Quantity	List \$
156017-02	ST-1	3/4" NPT	10" Standard	304 SS	Polished Finish	1	\$ 381.00
156018-02	ST-2	3/4" NPT	20" Standard	304 SS	Polished Finish	1	\$ 674.00
156025-02	ST-BC-4	2" NPT	4 X 10" Cartridges	304 SS	Grey/Silver Epoxy Finish	1	\$ 2,013.00
156026-02	ST-BC-8	2" NPT	8 X 10" or 4 X 20" Cartridges	304 SS	Grey/Silver Epoxy Finish	1	\$ 2,178.00
156027-02	ST-BC-12	2" NPT	12 X 10" or 4 X 30" Cartridges	304 SS	Grey/Silver Epoxy Finish	1	\$ 2,370.00
156032-02	ST-BC-20	2" NPT	20 X 10" or 5 X 40" Cartridges	304 SS	100psi, Polished Finish, Side Outlet	1	\$ 3,349.00

Industrial Filter Bags



Pentair Part Number	Product Name	Micron Rating	Material	Bag Size Dimensions	Case Quantity	List \$
155383-03	PBH Filter Bag BP-410-1	1	Polypropylene Felt	4" X 8.25"	20	\$ 7.40
155384-03	PBH Filter Bag BP-420-1	1	Polypropylene Felt	4" x 18.25"	20	\$ 9.20
155385-03	PBH Filter Bag BP-410-5	5	Polypropylene Felt	4" X 8.25"	20	\$ 7.10
155386-03	PBH Filter Bag BP-420-5	5	Polypropylene Felt	4" x 18.25"	20	\$ 8.90
155387-03	PBH Filter Bag BP-410-10	10	Polypropylene Felt	4" X 8.25"	20	\$ 6.80
155388-03	PBH Filter Bag BP-420-10	10	Polypropylene Felt	4" x 18.25"	20	\$ 8.60
155389-03	PBH Filter Bag BP-410-25	25	Polypropylene Felt	4" X 8.25"	20	\$ 6.80
155390-03	PBH Filter Bag BP-420-25	25	Polypropylene Felt	4" x 18.25"	20	\$ 8.60
155391-03	PBH Filter Bag BP-410-50	50	Polypropylene Felt	4" X 8.25"	20	\$ 6.80
155392-03	PBH Filter Bag BP-420-50	50	Polypropylene Felt	4" x 18.25"	20	\$ 8.60
155393-03	PBH Filter Bag BP-410-100	100	Polypropylene Felt	4" X 8.25"	20	\$ 6.80
155394-03	PBH Filter Bag BP-420-100	100	Polypropylene Felt	4" x 18.25"	20	\$ 8.60
155395-03	PBH Filter Bag BP-410-200	200	Polypropylene Felt	4" X 8.25"	20	\$ 6.70
155396-03	PBH Filter Bag BP-420-200	200	Polypropylene Felt	4" x 18.25"	20	\$ 8.40

Industrial Replacement Parts



Pentair Part Number	Product Name	Case Quantity	List \$
155373-03	PBR-420-BK 20" Replacement Basket	1	\$ 213.00
155374-03	PBR-410-BK 10" Replacement Basket	1	\$ 130.00
144357	3/8" FNPT x 3/8" NPT PVC Ball Valve - PBH bag filter housings	1	\$ 30.00
154508	PBC 1-1/2" Bag Filter Cap - 1/4" Vent	1	\$ 115.00
154515	PBC 1" Bag Filter Cap - 1/4" Vent	1	\$ 109.00
143216	Gasket for ST-1, ST-2 & ST-3	1	\$ 24.20
143220	Head Nut Kit (includes nut & gasket) for ST-1, ST-2 & ST-3	1	\$ 126.00
143339	Head Nut Gasket for ST-1, ST-2 & ST-3	1	\$ 8.90
156037	Mounting Bracket Kit (w/screws) for ST-1, ST-2 & ST-3 Housings	1	\$ 35.80

Miscellaneous Parts - Cartridge Couplers



Pentair Part Number	Product Name	Case Quantity	List \$
155003	Standard Cartridge Coupler	1	\$ 3.40
SH144229	Heavy Duty Cartridge Coupler	1	\$ 4.60